

Electrodes for CRISON portable PH 25

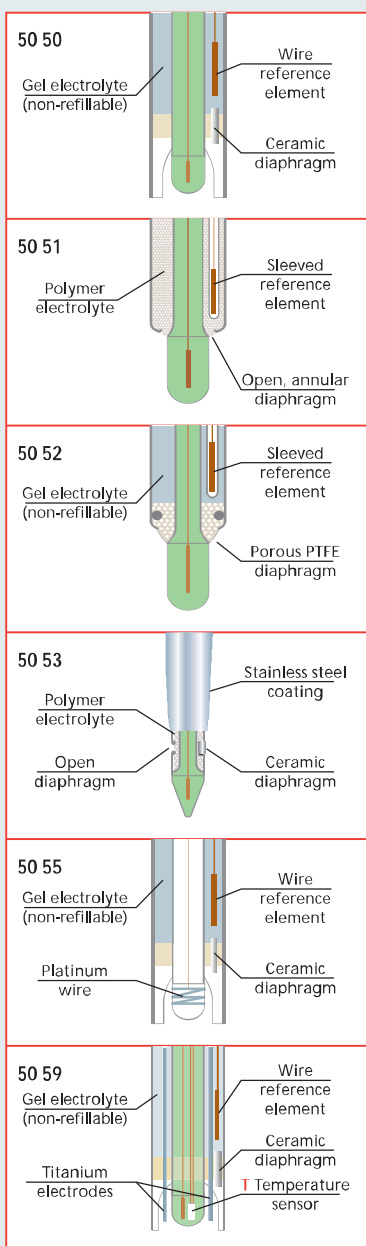
These are fixed-cable electrodes with a plastic MP-5 connector, gold-coated contacts and IP 67 protection. Ergonomic and robust, designed for taking measurements in the field. The electrode can be adequately held without harming the cable.

All electrodes are low-maintenance.

The internal electrolyte inside the membrane is gel preventing the air bubble formation.

Every model has a version with integrated temperature probe = T.

Details:



Universal

pH 50 50

pH °C 50 50 T

Low Cost pH electrode.

The plastic body protects the membrane against knocks.

Applications

Measurements in aqueous samples in general.

Limits

Low-conductivity, dirty or viscous solutions.

Products with colloids or solids in suspension.

Samples containing sulphides, reducing sugars or other substances which react with the silver ions.

Temperatures exceeding 80 °C.

Organic solvents.

With open diaphragm

pH 50 51

pH °C 50 51 T

As a result of the co-operation with experts in pH, an idea for harsh conditions - resistant electrode was born. An electrode with excellent results has been created. The 50 51 is the version of this electrode for portable instrument.

Applications

Milk, juices,... food products in general.

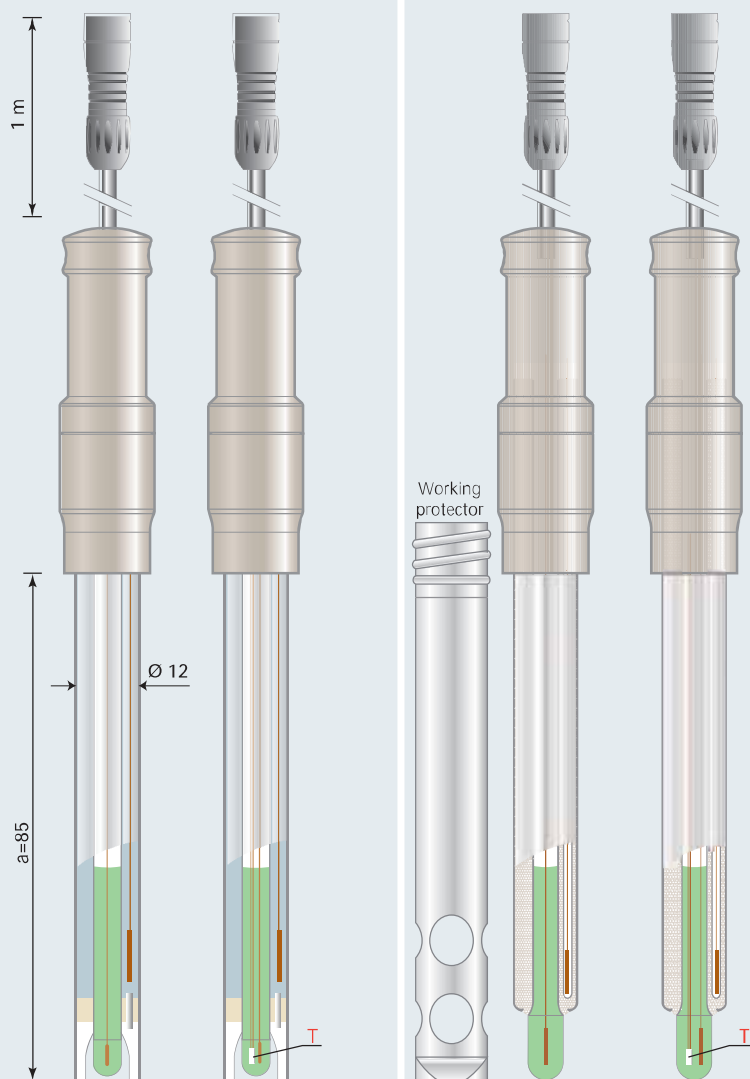
"Very dirty" waste water.

Limits

Samples with pH < 2.

Distilled water. Temperatures higher than 80 °C.

They are supplied with polypropylene working protector preventing accidental breakage of the electrode.



Specifications

Electrode code	50 50	50 50 T	50 51	50 51 T
Measuring range	0...14 pH		2...14 pH	
Operating temperature (°C)	0...80 °C		0...80 °C	
Reference element	Ag wire		sleeved Ag wire	
Diaphragm	ceramic		open circular	
Electrolyte	gel		solid	
Body material	interior glass / exterior polycarbonate (PC)		glass	

For difficult samples

pH 50 52

pH °C 50 52 T

The large annular porous PTFE diaphragm of these electrodes assures the optimum contact between electrolyte and sample.

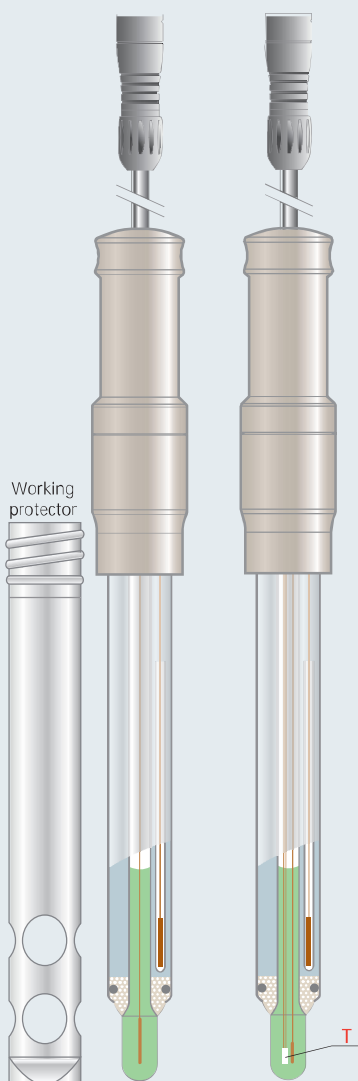
Applications

Measurements in "difficult" samples, creams, dirty or viscous samples.

Measurements at high temperature up to 100 °C.

Particularly recommended for measuring distilled water.

They are supplied with a "working protector" to avoid accidental breakage.



50 52

50 52 T

Puncture, stainless steel body

pH 50 53

pH °C 50 53 T

The most robust puncture electrodes.

Unique on the market:

- Stainless steel external body.
- Can measure with the membrane in any position.
- With built-in temperature probe, 50 53 T. A single puncture is sufficient to measure pH and temperature and to compensate for the temperature effect on the pH measurement.

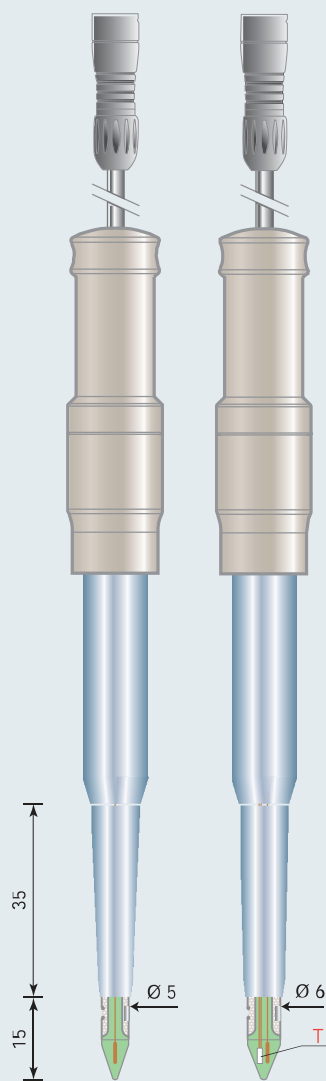
Applications

Measurements in semi-solids: cheeses, meats, fish, fruits, bread dough, etc. These electrodes can also be used for measurements in aqueous samples.

Limits

pH < 2.

Temperatures exceeding 60 °C



50 53

50 53 T

For redox measurements

O.R.P. 50 55

Platinum electrode for oxide-reduction potential (ORP) measurements in aqueous samples.

Applications

Chemical waste water treatment, galvanic baths, etc.

Limits

Temperatures higher than 80 °C.

MULTISENSOR FOR MM 40

pH E.C. °C 50 59

Developed to measure with CRISON portable MM 40.

Composed by one pH electrode, one conductivity cell and one temperature probe, all in one body.

Applications

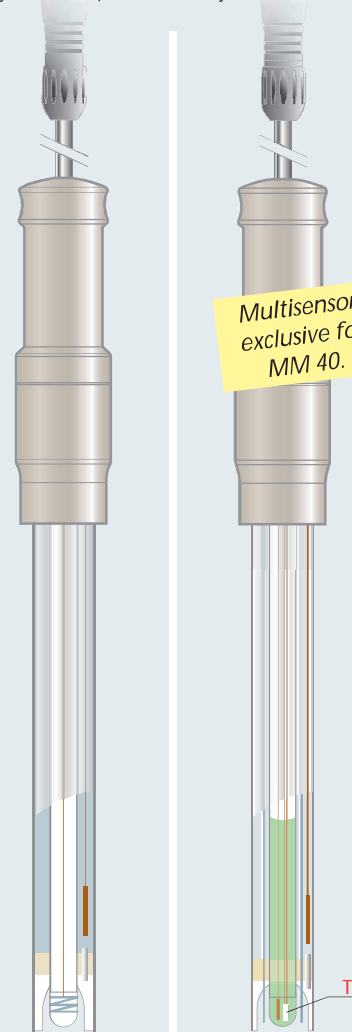
Agriculture: irrigation water, hydroponic culture, etc.

Industry: process water, gas scrubbing towers, etc.

Education: laboratories at school.

Limits

Dirty/viscous samples. Conductivity > 30 mS/cm.



50 55

50 59

50 52	50 52 T	50 53	50 53 T	50 55	50 59
0...14 pH	0...14 pH	2...14 pH	2...14 pH	± 2000 mV	0...14 pH, 5...30000 µS/cm
0...100 °C	0...100 °C	0...60 °C	0...60 °C	0...80 °C	0...80 °C
sleeved Ag wire	sleeved Ag wire	cartridge	cartridge	Ag wire	Ag wire
annular of porous PTFE	annular of porous PTFE	1 ceramic + 1 open	1 ceramic + 1 open	1 ceramic	1 ceramic
gel	gel	solid	solid	gel	gel
glass	glass	interior glass / exterior stainless steel 316	interior glass / exterior stainless steel 316	glass / PC	glass / titanium / PC